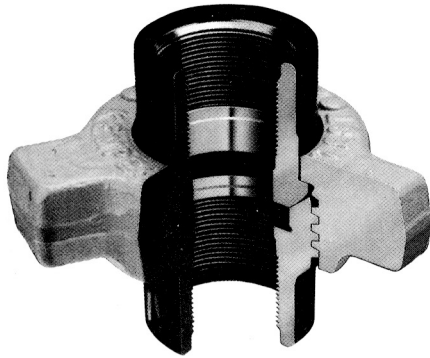


# Oilfield Unions

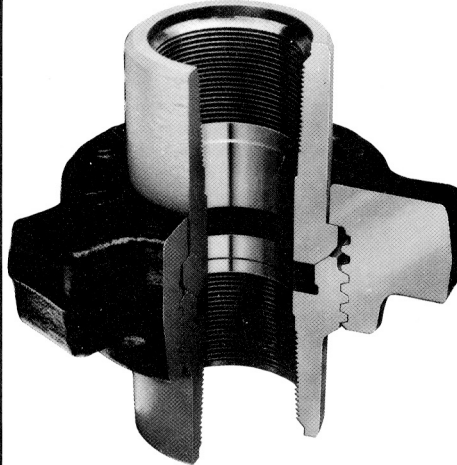


**FIGURE 1002  
RED NUT, BLUE SUBS**

**Figure 1002.** These unions are available in 1" thru 5" 10,000 psi N.S.C.W.P. and 5" thru 6" 7,500 psi N.S.C.W.P. These unions also have a resilient nitrile seal ring (5-inch and 6 inch have nitrile O-ring), and are made from alloy steel. They are used primarily by service companies in applications such as cementing, fracturing and acidizing. Designed for high pressure systems, including truck-mounted systems. Fig. 1002 unions also are available as non-pressure seal unions, and in butt weld Sch. 160 or XXH.

Size (Inches)	Length (Inches)		Nut Radius (Inches)	Material		Weight (Lbs)	Length (Inches)	
	Total	Ctr Br		Nut	Sub		Sch 160	XX Hvy
1	3-17/32	1/4	2-3/8	SF	SF	3.6	3-17/32	—
2	5-1/4	3/8	3-3/4	SF	SF	12.2	5-1/32	—
3	6-1/4	3/8	4-1/2	SF	SF	22.4	5-7/16	5-7/16
4	8-1/4	3/8	5-1/4	SF	AS	35.4	5-11/16	—
5 †	10-3/8	3/8	6-1/8	SF	AS	57.4	5-15/16	6-1/8
4 X 5 †	—	3/8	6-1/8	SF	AS	60.0	5-15/16	6-1/8
5 X 4 †	—	3/8	6-1/8	SF	AS	61.0	5-15/16	6-1/8
6 †	7-1/2	—	7-3/4	SC	AS	97.0	7-1/2	7-1/2

† Specify weld end. 7500 psi N.S.C.W.P., NPT end 5000 psi N.S.C.W.P.  
Figure 1002 unions also are available for H<sub>2</sub>S service.



**FIGURE 1502  
BLUE NUT, RED SUBS**

**Figure 1502.** 15,000-psi N.S.C.W.P. unions are available in 1, 1-1/2, 2, 3 and 4" sizes, with a replaceable resilient nitrile seat ring. The heavy walls and rugged design have made these unions popular with the service companies for working pressures up to 15,000 psi. Fig. 1502 unions also are available as non-pressure seal unions, and in butt weld Sch. 160 or XXH.

Size (Inches)	Length (Inches)		Nut Radius (Inches)	Material		Weight (Lbs)	Length (Inches)	
	Total	Ctr Br		Nut	Sub		Sch 160	XX Hvy
1	4-3/8	1/4	2-3/4	SF	AS	8.8	4-11/16	4-11/16
1-1/2	5-3/8	1/4	3-3/4	SF	AS	17.5	5-3/8	5-3/8
2	7	1/4	4	SF	AS	20.0	6-1/4	6-1/4
3	7-5/8	3/8	4-7/8	SF	AS	29.8	5-1/4	5-1/4
4	—	—	6	SF	AS	83.8	10-1/2	10-1/2

Fig. 1502 unions also are available for H<sub>2</sub>S service